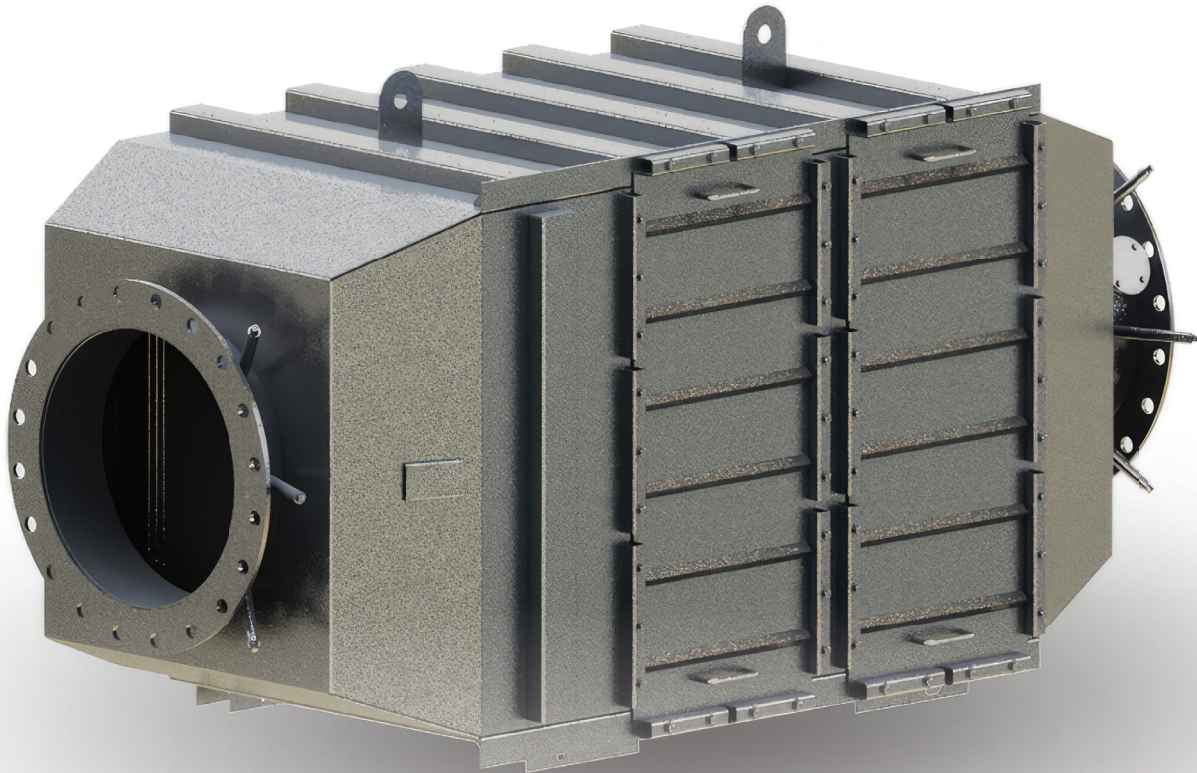


# SCR MIRATECH SELECTIVE CATALYST REDUCTION



NOx control for both diesel and natural gas engines



Carbon Steel Housings  
Standard with High  
Temperature Black Paint

Also available in  
304 Stainless Steel

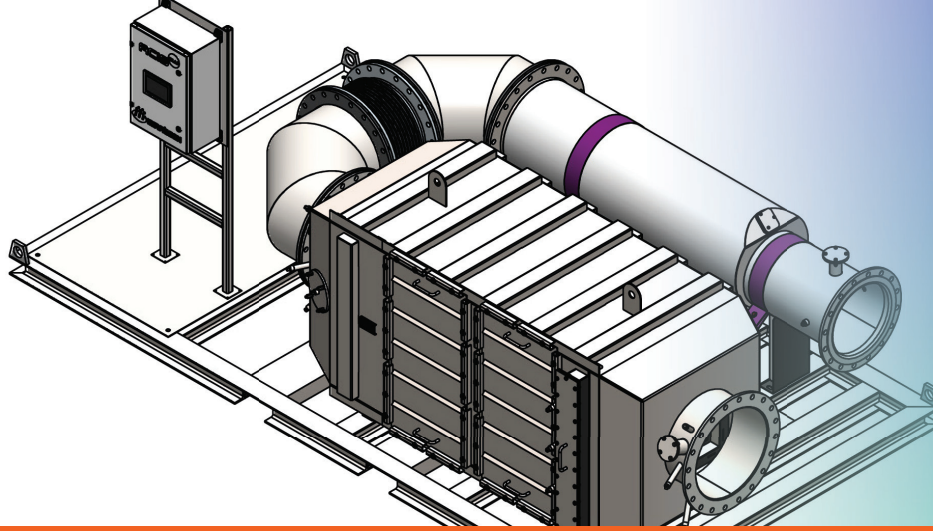
Designed with Easy  
Access Service Panels



## EFFICIENT, LOWER FUEL COSTS, ASSURED COMPLIANCE

NOx Reduction For 44. BlmSchV or MCPD

- ❑ Designed for Up to 99% NOx Reduction
- ❑ Two-Stage System: SCR & Oxidation
- ❑ Three Stage System: DOC/DPF + SCR NOx, CO, VOC, HAPs, PM
- ❑ Efficient Reactant Atomization - Urea or Ammonia Reductant
- ❑ Designed for serviceability with easy access to injector and catalyst access door
- ❑ Simple, quick bulkhead connections for wiring & plumbing
- ❑ Built for stationary reciprocating engines: Lean-Burn Natural Gas, Diesel and Dual-Fuel



## SCR | SELECTIVE CATALYST REDUCTION

### EMISSIONS: CONTROLLED

MIRATECH's SCR catalytic converters reduce regulated exhaust pollutants for stationary reciprocating diesel, dual-fuel and lean-burn natural gas engines. These pollutants include oxides of nitrogen, (NO<sub>x</sub>), carbon monoxide (CO), and unburned hydrocarbons (HC) comprising Hazardous Air Pollutants (HAPs) and Volatile Organic Compounds (VOCs). The MIRATECH SCR systems work in two efficient stages: the NO<sub>x</sub> Reduction Stage and the Oxidation Stage for CO and HC reduction. Both stages work together, drastically reducing harmful emissions to satisfy the strictest regulatory requirements. In the mixing section, either ammonia or aqueous urea is injected into the exhaust stream. Urea is often used instead of ammonia; since it's much less toxic than ammonia, it's generally easier to transport and store, and it allows easier permitting. This urea is hydrolyzed and breaks down in the exhaust stream to form ammonia. Ammonia, whether injected directly or formed from urea, reacts with NO<sub>x</sub> at the SCR catalyst to form harmless water and nitrogen. The Oxidation Stage uses oxidation catalyst elements, with surface coatings impregnated with precious metals, to reduce CO, HAPs, and VOCs—oxidizing these pollutants to form water and carbon dioxide.

### COMPLIANCE AND MORE

Most important of all, MIRATECH's SCR solutions give you assured compliance with less cost, less disruption of your operation and full support you can count on over the long haul. With MIRATECH's SCR system, you don't have to deal with complex controls assembly; panels include microprocessor controlled hardware. MIRATECH's SCR systems give you a choice of reactant, ammonia or urea, for efficient atomization. And MIRATECH's SCR gives you a level of operations control that's simply unique to the industry.

### FULL SUPPORT CLOSE TO HOME

Technical services and training provided by MIRATECH, along with field service from authorized MIRATECH representatives, ensures prompt, reliable product support is just a phone call away.

### EMISSIONS & ACOUSTIC SOLUTIONS

For more than 30 years, MIRATECH has been at the forefront in helping industries handle emissions and acoustic standards. Whatever your emissions needs may be, count on MIRATECH for solutions. Just give us a call or visit our website: [miratechcorp.eu](http://miratechcorp.eu)

Sign up at our website for your free subscription to our fact-filled electronic newsletter: THE EMISSIONS MONITOR